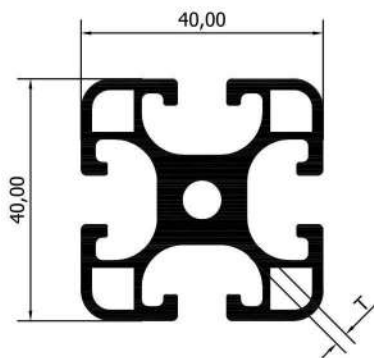




**EXALUM**  
METAL INDO PT



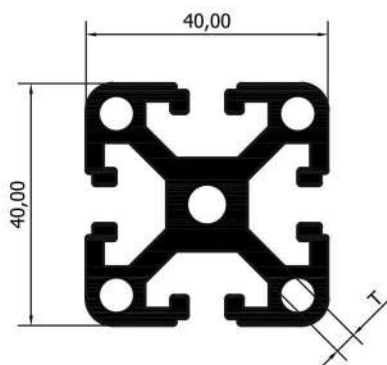


70010

T = 2.15 mm

W = 1.589 Kg/m

P = 468.811 mm

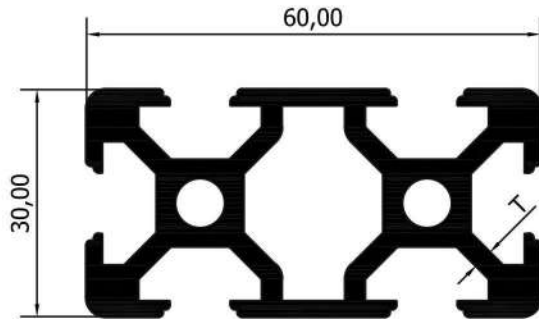


70014

T = 3.70 mm

W = 1.972 Kg/m

P = 465.700 mm



70015

T = 2.50 mm

W = 1.764 Kg/m

P = 470.440 mm

# EXALUM

METAL INDO PT.

Jl. Kembangan Raya No.8  
Kota Jakarta Barat 11610 - Indonesia

**Tel** : +6221 5890 9530/31

**Email:** sales@exalummetal.com

[www.exalummetal.com](http://www.exalummetal.com)

