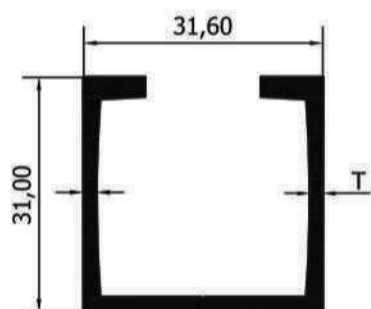




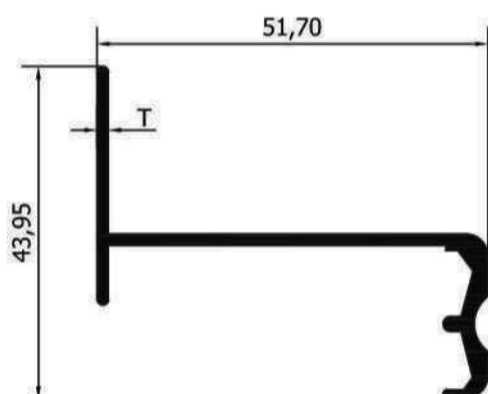
**EXALUM**  
METAL INDO PT





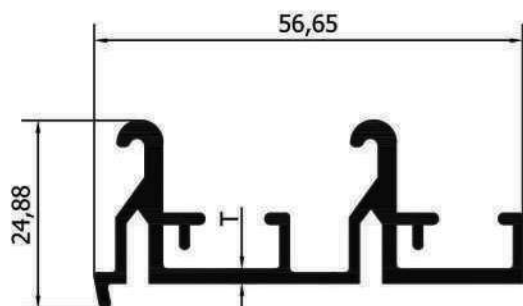
### 71013

T = 1.63 mm  
W = 0.536 Kg/m  
P = 206.857 mm



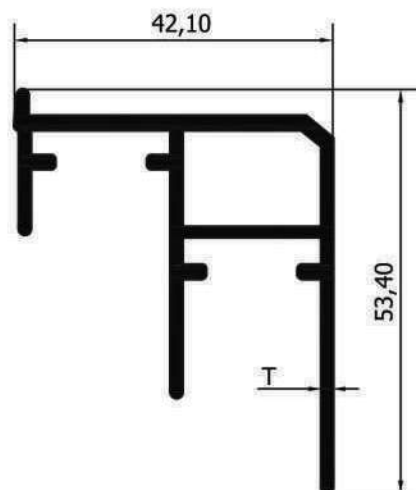
### 71014

T = 1.50 mm  
W = 0.479 Kg/m  
P = 213.922 mm



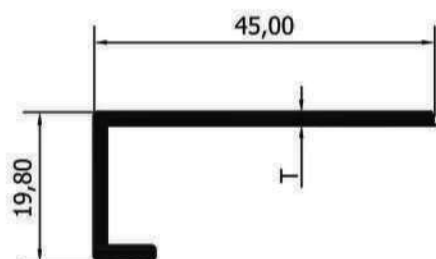
### 71015

T = 1.85 mm  
W = 0.729 Kg/m  
P = 311.276 mm



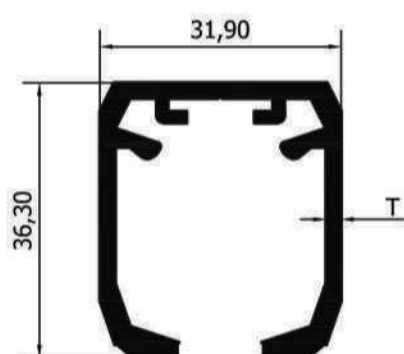
### 71016

T = 1.50 mm  
W = 0.733 Kg/m  
P = 340.811 mm



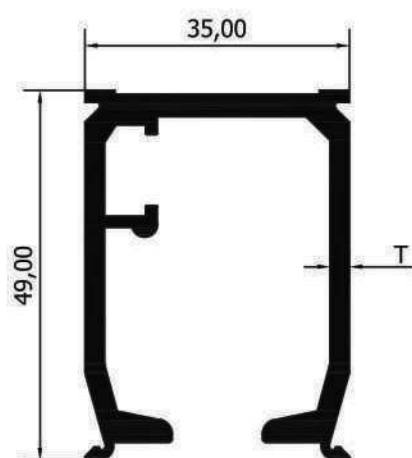
### 71017

T = 1.70 mm  
W = 0.319 Kg/m  
P = 140.848 mm



### 71018

T = 2.00 mm  
W = 0.784 Kg/m  
P = 265.393 mm



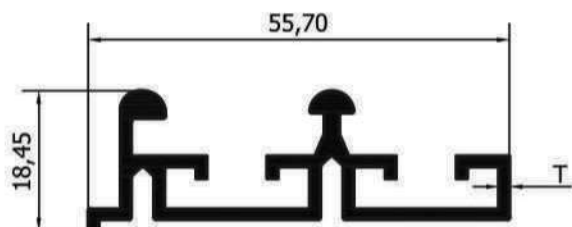
### 71019

T = 2.60 mm  
W = 1.135 Kg/m  
P = 314.477 mm



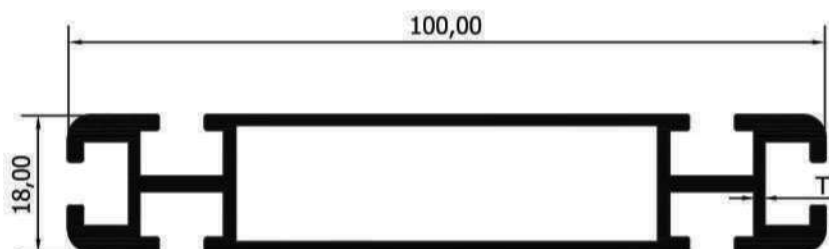
### 71020

W = 0.423 Kg/m  
P = 283.458 mm



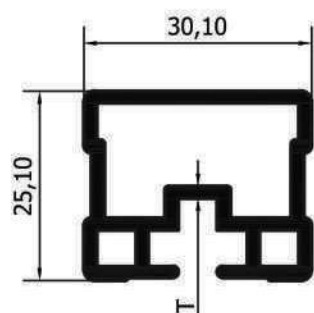
**71021**

T = 1.40 mm  
W = 0.599 Kg/m  
P = 286.936 mm



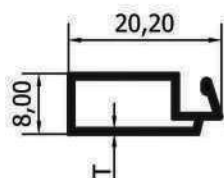
**71030**

T = 1.15 mm  
W = 1.12 Kg/m  
P = 531.989 mm



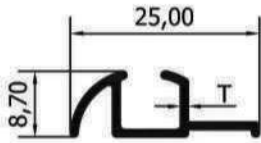
**71040**

T = 1.60 mm  
W = 0.642 Kg/m  
P = 277.619 mm



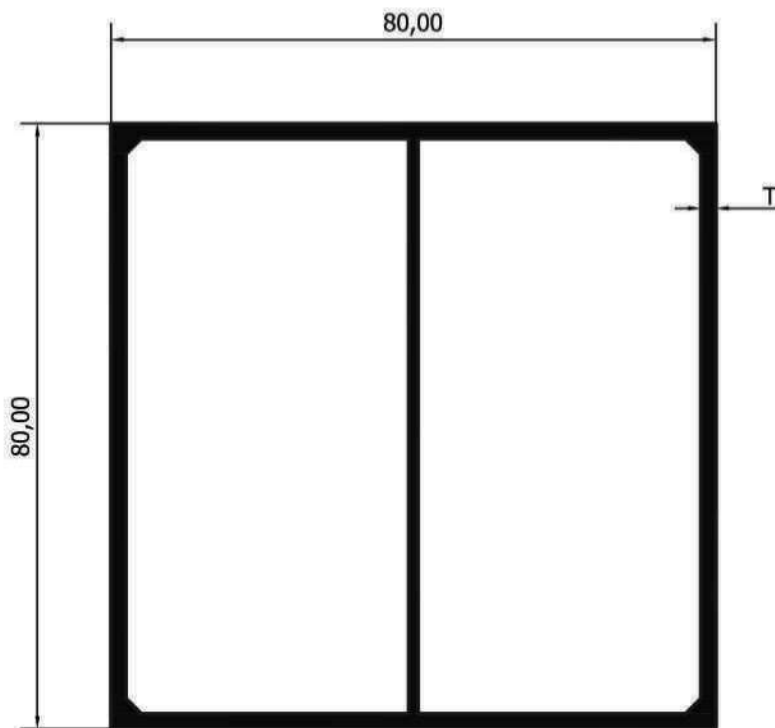
**71050**

T = 0.70 mm  
W = 0.108 Kg/m  
P = 111.134 mm



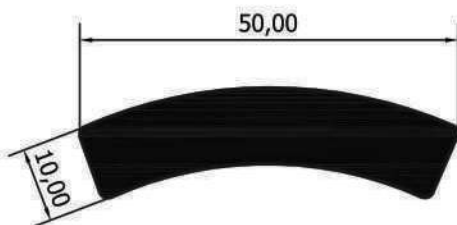
**71060**

T = 1.00 mm  
W = 0.129 Kg/m  
P = 94.183 mm



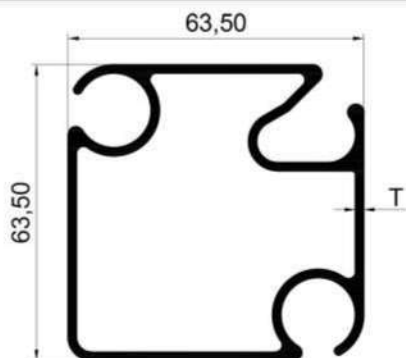
**71100**

T = 2.00 mm  
W = 1.960 Kg/m  
P = 768.914 mm



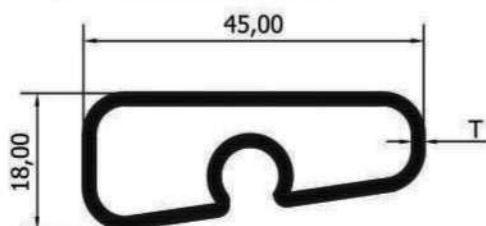
**71101**

T = 10.00 mm  
W = 1.311 Kg/m  
P = 115.168 mm



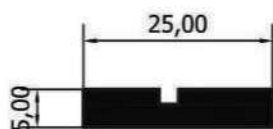
**76100**

T = 1.80mm  
W = 1.637 Kg/m  
P = 612.165 mm



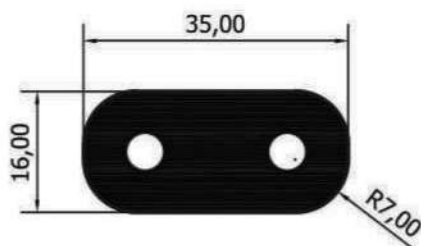
**78014**

T = 1.50 mm  
W = 0.494 Kg/m  
P = 243.381 mm



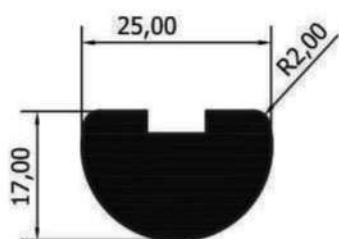
**78069**

T = 5.00 mm  
W = 0.322 Kg/m  
P = 64.000 mm



**78116**

T = 16.00 mm  
W = 1.288 Kg/m  
P = 122.655 mm



**78126**

T = 17.00 mm  
W = 0.896 Kg/m  
P = 76.988 mm

# EXALUM

METAL INDO PT.

Jl. Kembangan Raya No.8  
Kota Jakarta Barat 11610 - Indonesia

**Tel** : +6221 5890 9530/31

**Email:** sales@exalummetal.com

[www.exalummetal.com](http://www.exalummetal.com)

