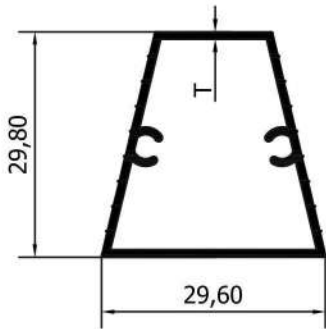




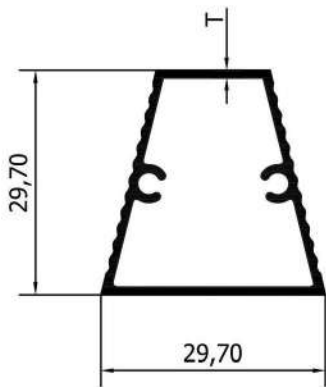
**EXALUM**  
METAL INDO PT





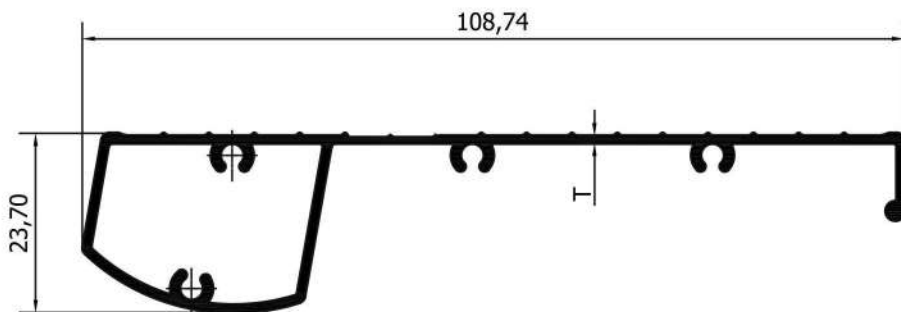
**68020**

T = 1.00 mm  
W = 0.316 Kg/m  
P = 232.446 mm



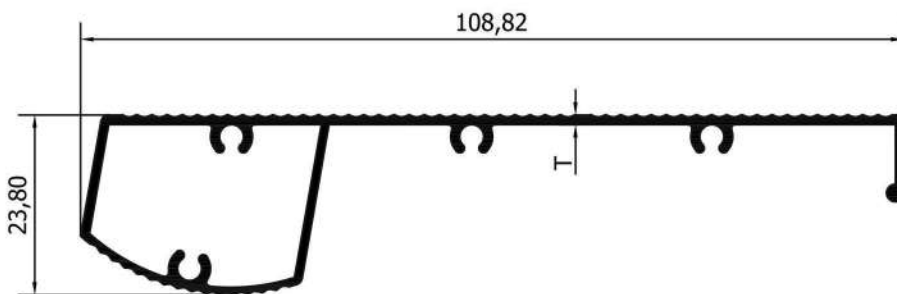
**68203**

T = 1.00 mm  
W = 0.312 Kg/m  
P = 229.012 mm



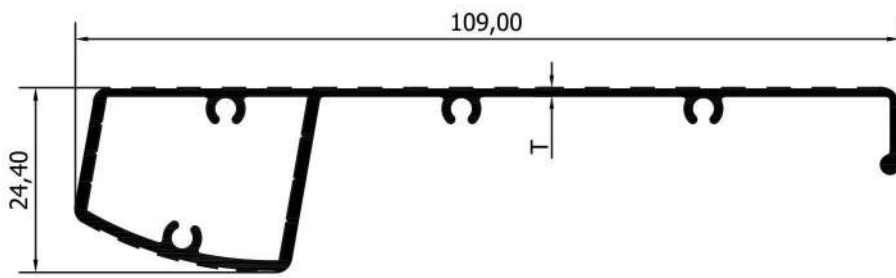
**68030**

T = 1.00 mm  
W = 0.614 Kg/m  
P = 420.618 mm



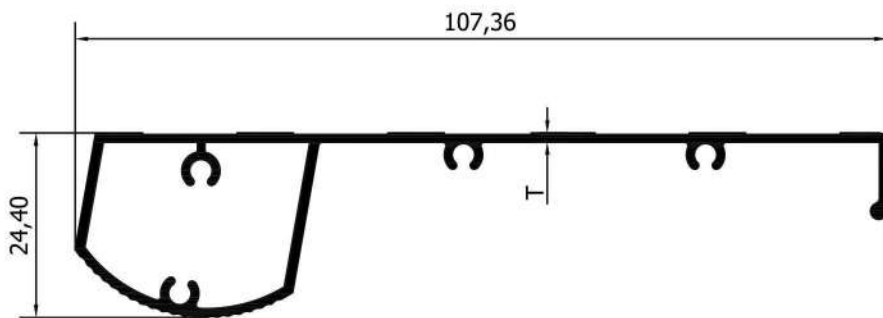
**68200**

T = 1.30 mm  
W = 0.646 Kg/m  
P = 423.743 mm



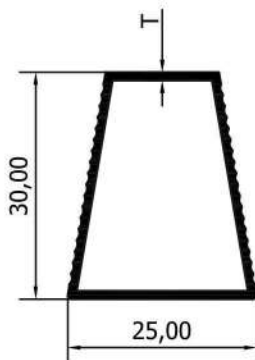
**68207**

T = 1.10 mm  
W = 0.671 Kg/m  
P = 425.341 mm



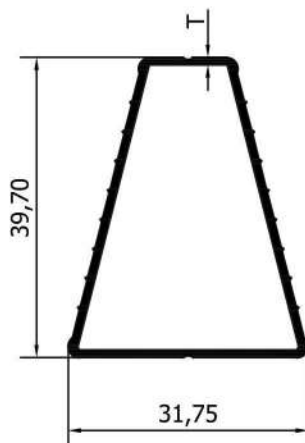
**68300**

T = 1.20 mm  
W = 0.641 Kg/m  
P = 423.015 mm



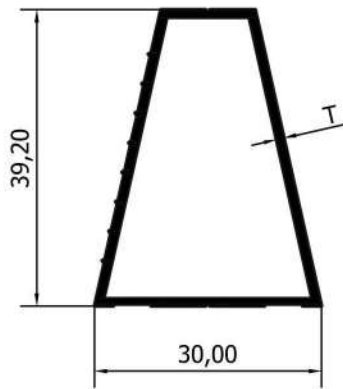
**68201**

T = 1.10 mm  
W = 0.271 Kg/m  
P = 194.868 mm



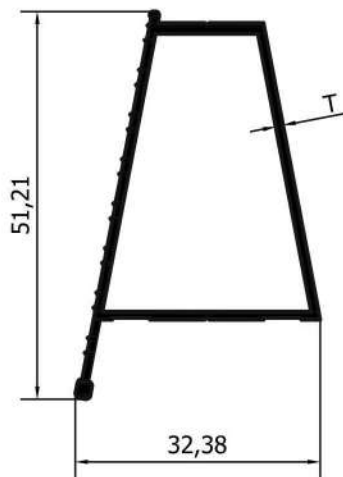
**68050**

T = 1.00 mm  
W = 0.334 Kg/m  
P = 245.297 mm



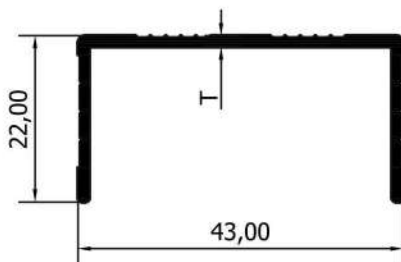
**68205**

T = 1.00 mm  
W = 0.316 Kg/m  
P = 240.947 mm



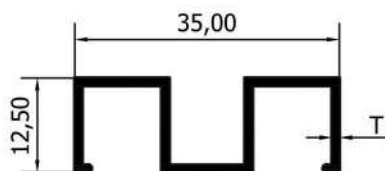
**68204**

T = 1.00 mm  
W = 0.398 Kg/m  
P = 271.429 mm



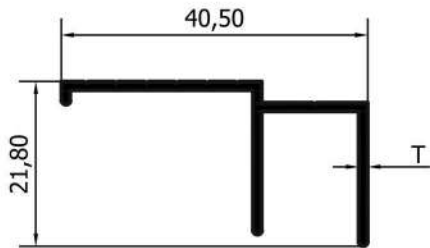
**68206**

T = 1.50 mm  
W = 0.300 Kg/m  
P = 174.460 mm



**68040**

T = 1.00 mm  
W = 0.225 Kg/m  
P = 167.942 mm

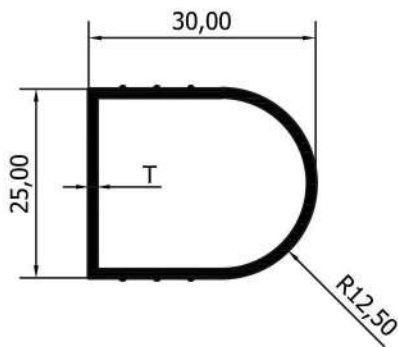


**68060**

T = 1.00 mm  
W = 0.214 Kg/m  
P = 161.960 mm

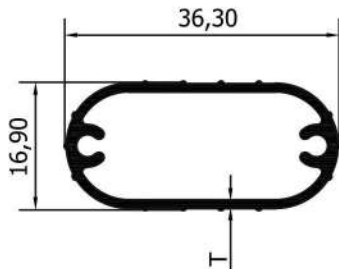
**68061**

T = 1.20 mm  
W = 0.256 Kg/m  
P = 160.980 mm



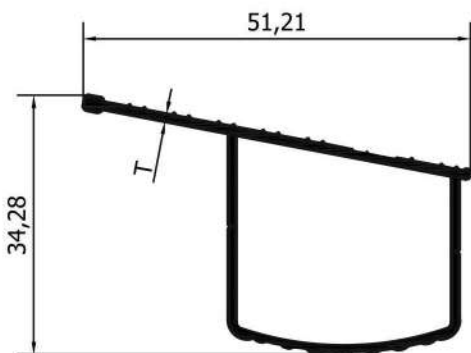
**68160**

T = 1.10 mm  
W = 0.314 Kg/m  
P = 192.046 mm



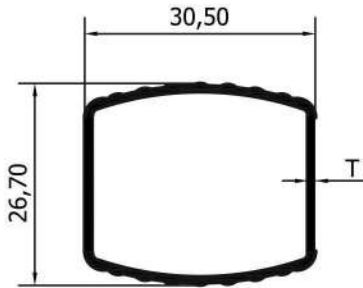
**68170**

T = 0.90 mm  
W = 0.274 Kg/m  
P = 198.521 mm



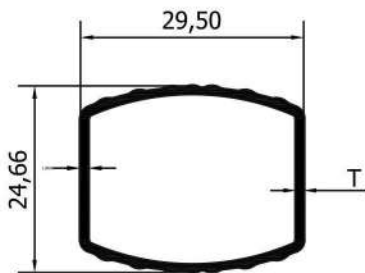
**68209**

T = 1.00 mm  
W = 0.350 Kg/m  
P = 261.884 mm



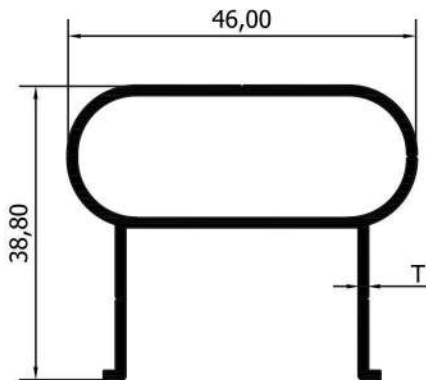
**68302**

T = 1.00 mm  
W = 0.257 Kg/m  
P = 200.930 mm



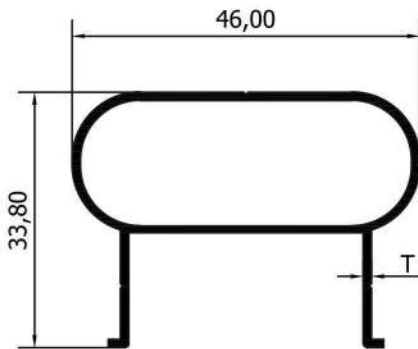
**68312**

T = 1.00 mm  
W = 0.244 Kg/m  
P = 188.376 mm



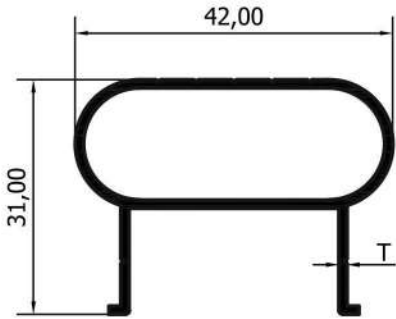
**68202**

T = 1.10 mm  
W = 0.460 Kg/m  
P = 308.795 mm



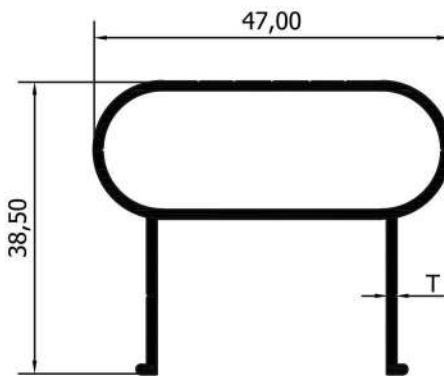
**68304**

T = 1.10 mm  
W = 0.406 Kg/m  
P = 289.195 mm



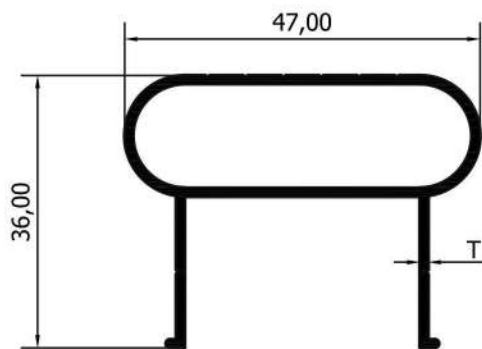
**68305**

T = 1.10 mm  
W = 0.390 Kg/m  
P = 264.264 mm



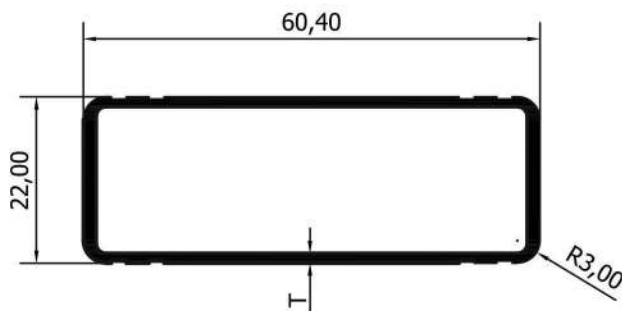
**68311**

T = 1.10 mm  
W = 0.430 Kg/m  
P = 312.411 mm



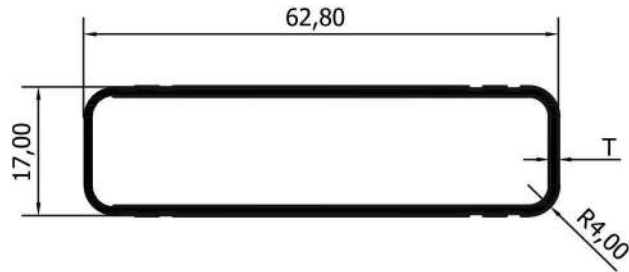
**68301**

T = 1.10 mm  
W = 0.449 Kg/m  
P = 304.422 mm



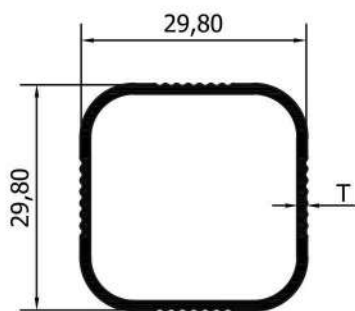
**68307**

T = 1.30 mm  
W = 0.574 Kg/m  
P = 315.018 mm



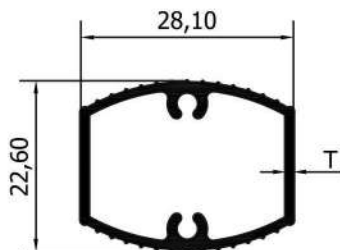
**68308**

T = 1.20 mm  
W = 0.478 Kg/m  
P = 302.726 mm



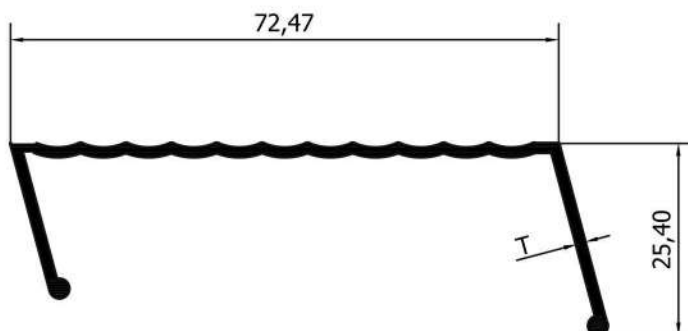
**68309**

T = 1.10 mm  
W = 0.290 Kg/m  
P = 211.691 mm



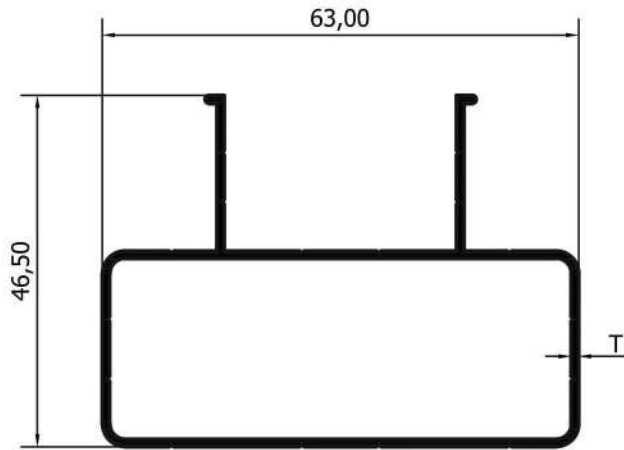
**68310**

T = 1.00 mm  
W = 0.262 Kg/m  
P = 200.418 mm



**68306**

T = 1.20 mm  
W = 0.399 Kg/m  
P = 242.470 mm



**68313**

T = 1.00 mm

W = 0.575 Kg/m

P = 430.848 mm

# EXALUM

METAL INDO PT.

Jl. Kembangan Raya No.8  
Kota Jakarta Barat 11610 - Indonesia

**Tel** : +6221 5890 9530/31

**Email:** sales@exalummetal.com

[www.exalummetal.com](http://www.exalummetal.com)

