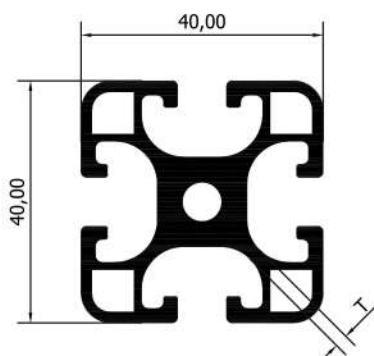




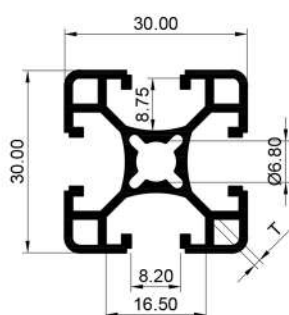
EXALUM
METAL INDO PT





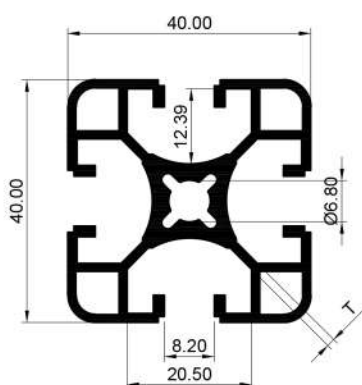
70010 (40x40)

T = 2.15 mm
W = 1.589 Kg/m
P = 468.811 mm



70330 (30x30)

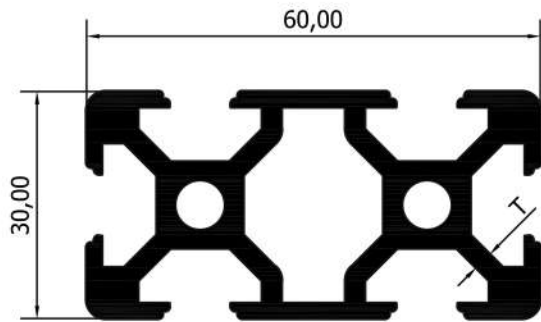
T = 1.20 mm
W = 0.647 Kg/m
P = 375.785 mm
Note : Dies not ready



70440 (40x40)

T = 1.35 mm
W = 1.184 Kg/m
P = 529.582 mm
Note : Dies not ready



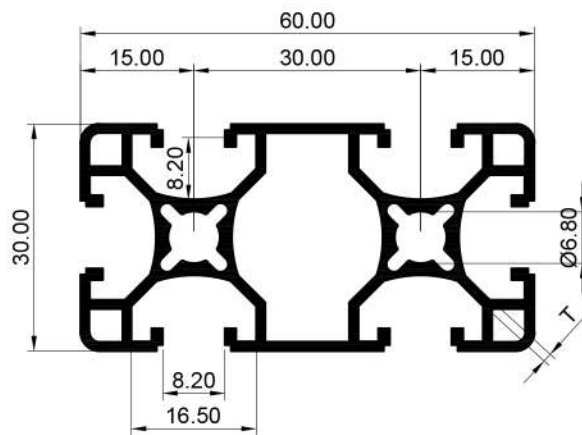


70015 (30x60)

T = 2.50 mm

W = 1.764 Kg/m

P = 470.440 mm



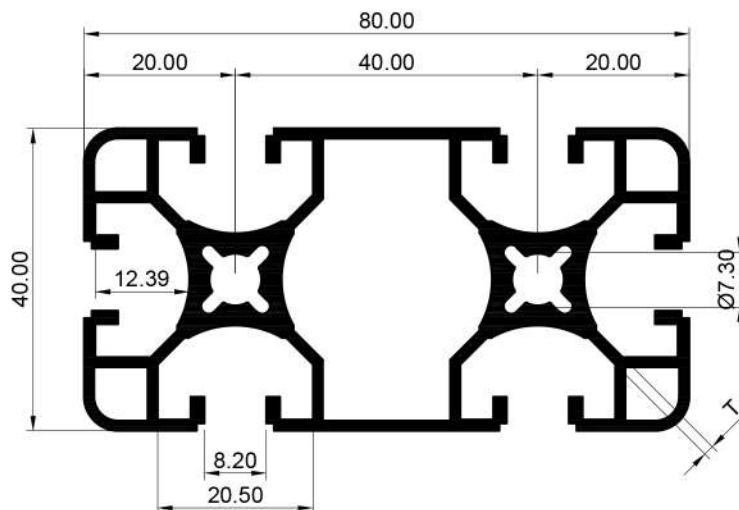
70360 (30x60)

T = 1.20 mm

W = 1.095 Kg/m

P = 635.503 mm

Note : Dies not ready



70480 (40x80)

T = 1.35 mm

W = 2.014 Kg/m

P = 879.971 mm

Note : Dies not ready



EXALUM

METAL INDO PT.

Jl. Kembangan Raya No.8
Kota Jakarta Barat 11610 - Indonesia

Tel : +6221 5890 9530/31

Email: sales@exalummetal.com

www.exalummetal.com

